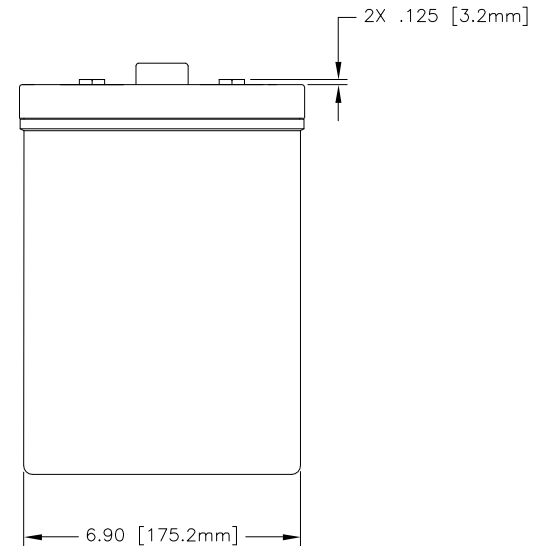
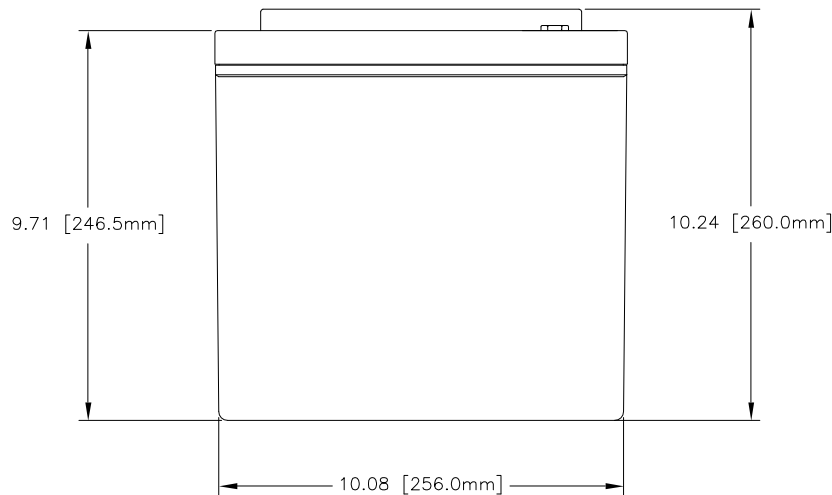
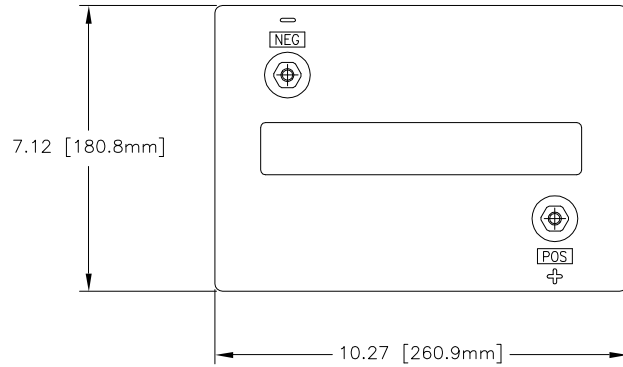


NOTES: UNLESS OTHERWISE SPECIFIED

1. SEE DRAWING NO. CB-00288 AND PROCEDURE P-1000 FOR ASSEMBLY AND TEST INSTRUCTION. PROCEDURES AND ASSEMBLY DRAWINGS ARE FOR INTERNAL USE ONLY.
2. ALL TESTING ARE IAW BATTERY COUNCIL INTERNATIONAL STANDARDS.
3. ALL DIMENSIONS ARE IN INCHES [MM].

REVISIONS			
REV	DESCRIPTION	DATE	APPROVED
A	REVISED TO "T" TERMINAL	8/14/03	JBT



CAPACITY RATINGS	
PART NUMBER	GPL-4C
NOMINAL WEIGHT	66 LBS [30.0 KG]
AMPERE HOUR CAPACITY @ 20 HOUR 1.75 VOLTS/CELL @ 77°F (25° C)	220 AH
MINUTES OF DISCHARGE @ 25 AMPS 1.75 VOLTS/CELL @ 77°F (25° C)	492 MIN

ENVELOPE DRAWING

QTY REQD	CAGE CODE	PART OR IDENTIFYING NO.	NOMENCLATURE OR DESCRIPTION	MATERIAL SPECIFICATION	ITEM NO.
PARTS LIST					
UNLESS OTHERWISE SPECIFIED DIMENSIONS ARE IN INCHES TOLERANCES ARE:			CONCORDE BATTERY CORPORATION 2009 SAN BERNARDINO RD, W. COVINA, CA 91790		
FRACTIONS DECIMALS ANGLES		APPROVALS		DATE	
± 1/32	.XX ± .06 ± 1'	DRAWN ELH	3/22/00		
	.XXX ± .030	CHECKED SV	3/22/00		
TREATMENT	NONE	APPROVED DG	3/23/00		
FINISH	NONE	ISSUED AT	9/9/03		
SIMILAR TO N/A	ACT WT N/A	CALC WT N/A	SIZE C	CAGE CODE 63017	DWG NO. GPL-4C
			SCALE NONE	SHEET 1 OF 1	REV A